

Name: _____

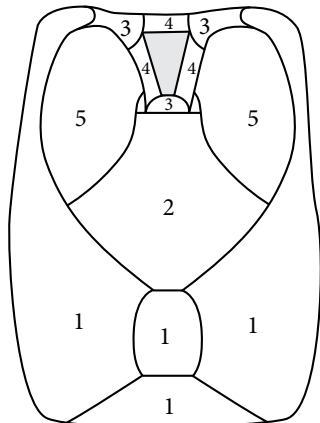
Shipping Address: _____

Telephone: _____

email: _____

Special Instructions:

Container Options



Color Choices

1) _____

2) - See center flap options _____

3) _____

4) _____

5) _____

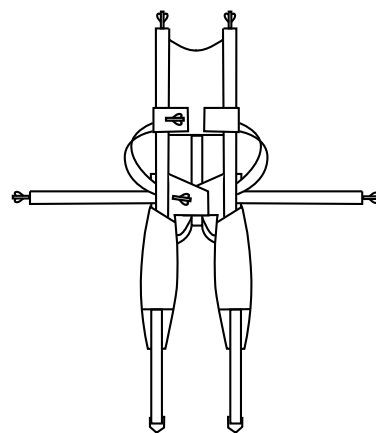
Trim) _____

Harness) _____

Additional Options

Leg Straps -	B-12	Step-In
Reserve Ripcord -	Metal	Soft
Student Ripcord -	Fast Snap	Sewn Down

Passenger Harness Options



Color Choices

Pad) _____

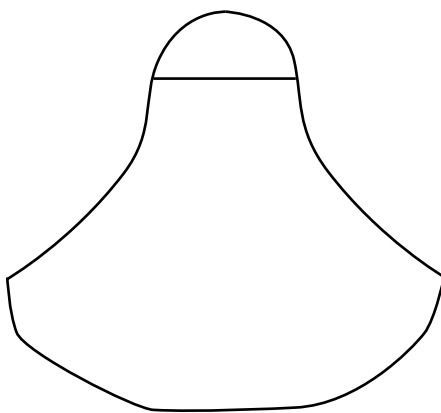
Trim) _____

Harness) _____

Additional Options

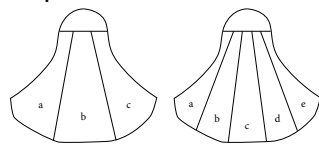
Risers -	Long	Short
Leg Straps -	B-12	Step-In

Center Flap Options



Choices (Choose one)

TNT Logo
Custom Embroidery
Solid Color -
Stripe Pattern



a) _____

b) _____

c) _____

d) _____

e) _____

All Strong Tandem Systems will come with "Strong Tandem" embroidered on both sides of the container.